

4

3

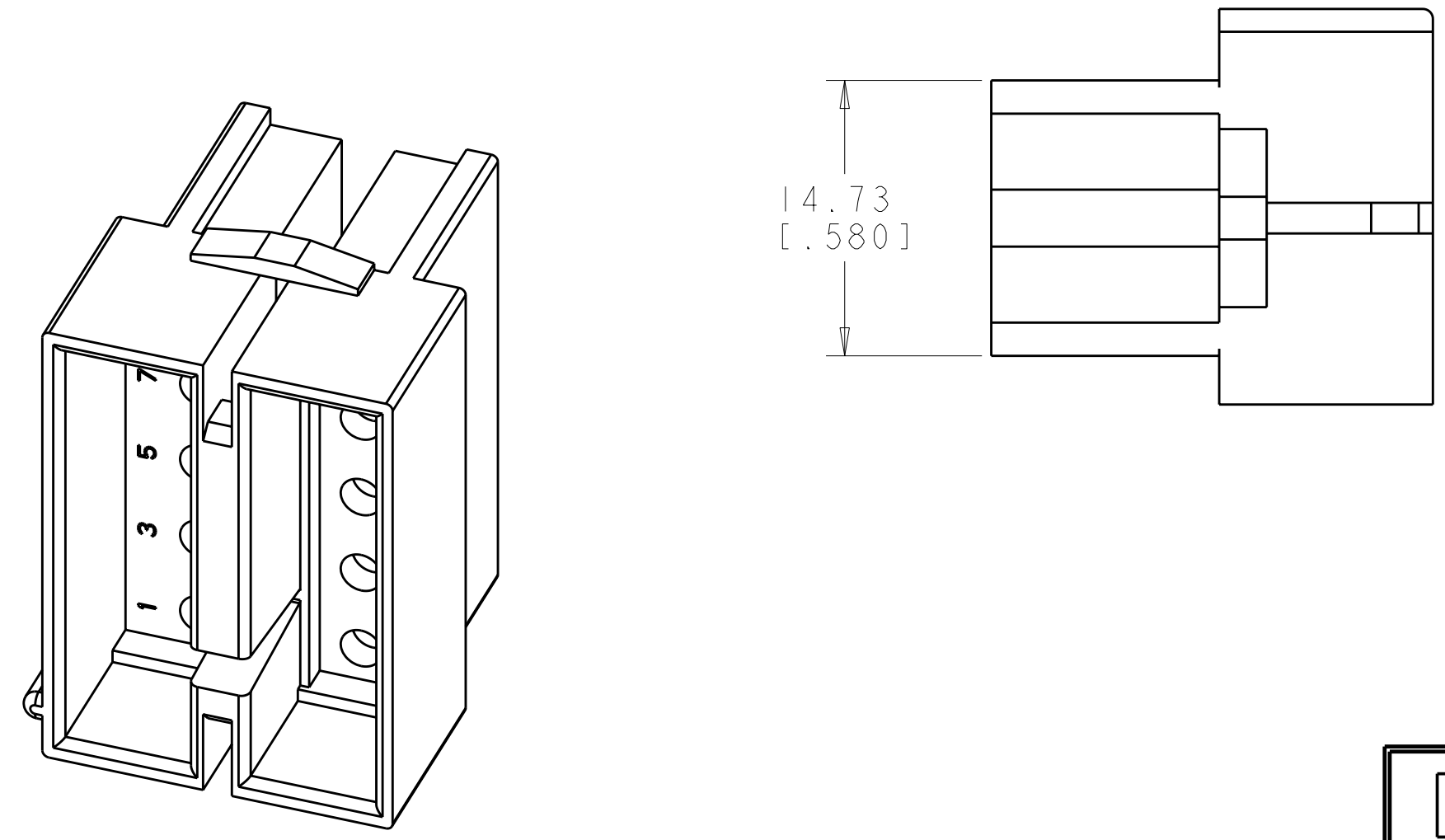
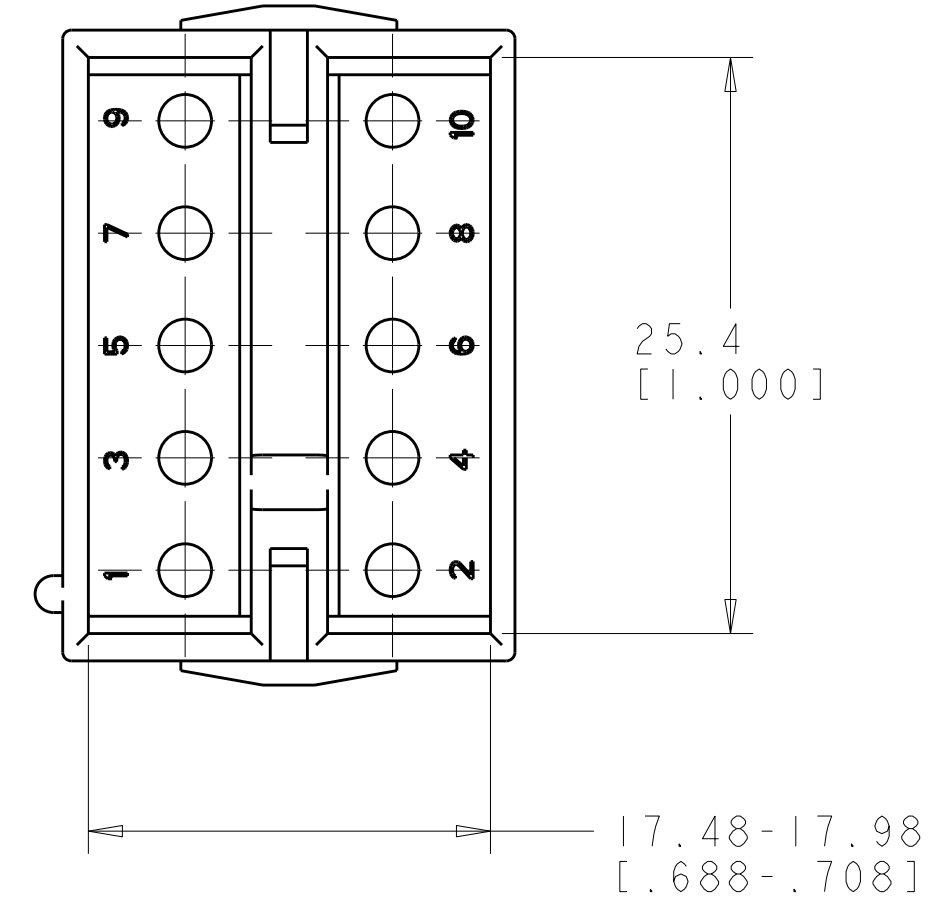
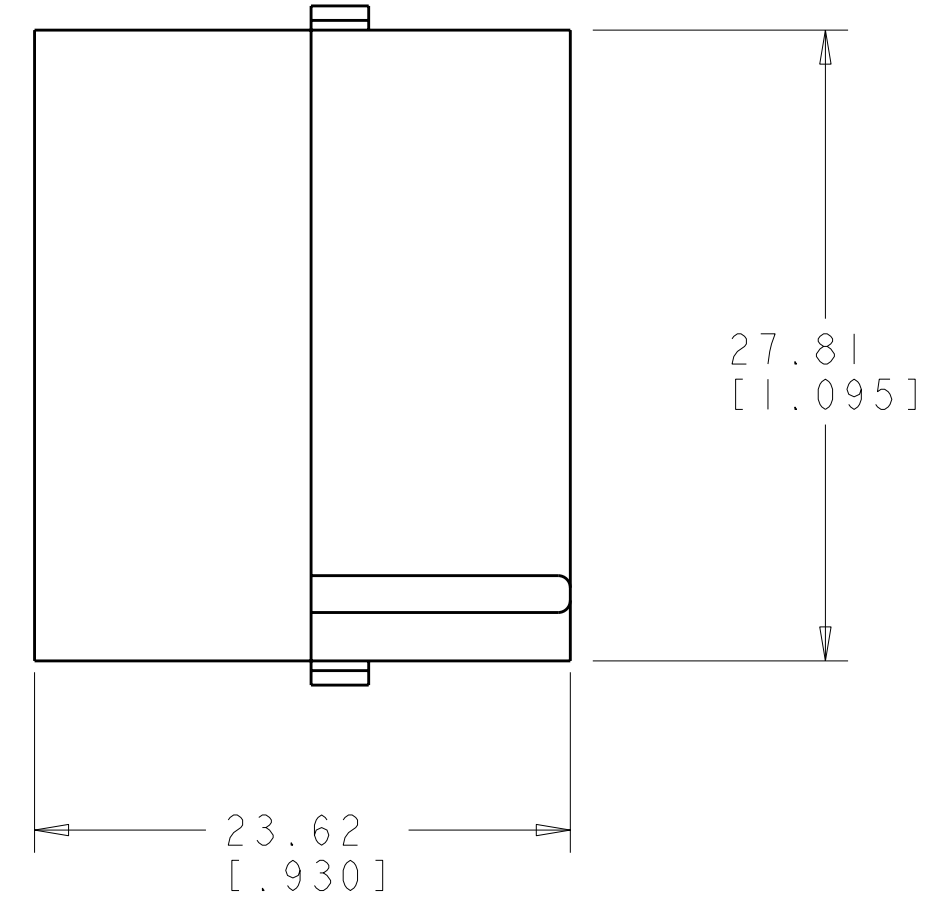
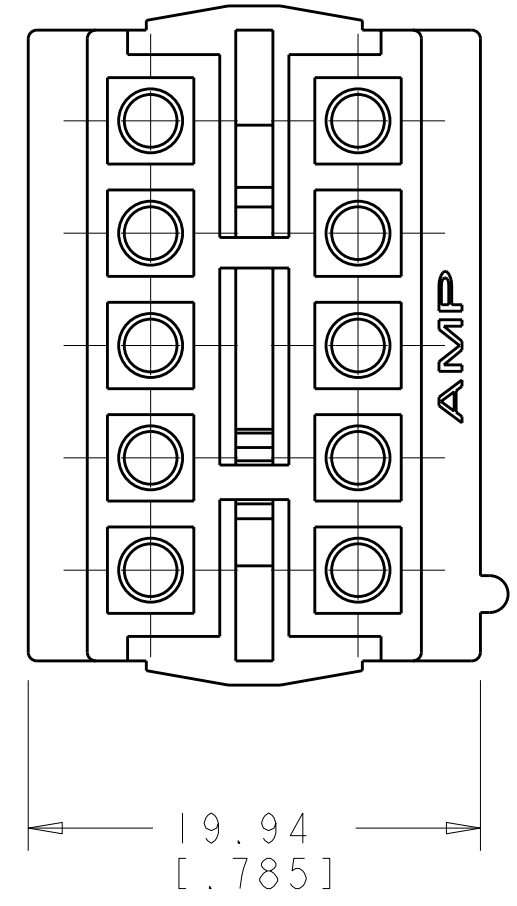
2

1

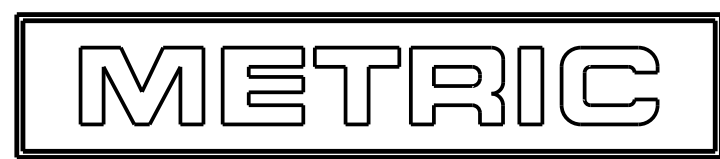
THIS DRAWING IS UNPUBLISHED. RELEASED FOR PUBLICATION 20
 © COPYRIGHT 20 BY TYCO ELECTRONICS CORPORATION. ALL RIGHTS RESERVED.

LOC	DIST	REVISIONS					
CM	00	P	LTR	DESCRIPTION	DATE	DWN	APVD
			HI	REVISED PER ECO-09-025197	11NOV2009	HMR	MS

1. PART MATES WITH PLUG NO. 480285.
2. TO BE USED WITH APPROPRIATE COMMERCIAL MATE-N-LOK™ PINS.
3. MATERIAL: NYLON UL94V-2, NATURAL.



0.297 IN ³	1-480339-0
VOLUME	PART NUMBER



<small>THIS DRAWING IS A CONTROLLED DOCUMENT FOR TYCO ELECTRONICS CORPORATION. IT IS SUBJECT TO CHANGE AND THE CONTROLLING ENGINEERING ORGANIZATION SHOULD BE CONTACTED FOR THE LATEST REVISION.</small>		DWN: K. WHITAKER 07MAR2008 CHK: C. CASH 07MAR2008 APVD: C. CASH 07MAR2008	Tyco Electronics Harrisburg, PA 17105-3608
DIMENSIONS: mm [INCHES]	TOLERANCES UNLESS OTHERWISE SPECIFIED: 0 PLC ± 1 PLC ± 2 PLC ±0.13 [0.005] 3 PLC ± 4 PLC ± ANGLES ±0°30' FINISH	PRODUCT SPEC APPLICATION SPEC WEIGHT	NAME: CAP, 10 CIRCUIT, COMMERCIAL MATE-N-LOK(TM) SIZE: A2 CAGE CODE: 00779 DRAWING NO: C-480339 RESTRICTED TO:
MATERIAL: 3		CUSTOMER DRAWING	SCALE: 3:1 SHEET: 1 OF 1 REV: HI